

# ALFA425H-2

<b>Product Family</b>	Ovens
<b>Subfamily</b>	4 trays 600x400 mm o GN1/1
<b>Oven type</b>	Fan with humidification
<b>Oven controls</b>	Mechanical
<b>Tray capacity</b>	4 trays 600x400 mm - GN1/1
<b>Default power supply</b>	400 V 3N~ / 10 A / 6,9 kW / 50 Hz
<b>Other electrical connections</b>	230 V~ / 30 A / 6.9 kW / 50 Hz
<b>Steam technology</b>	Direct
<b>App for recipe development and upload</b>	Not available
<b>Maximum depth with open door</b>	1511 mm
<b>Adjustable feet</b>	Yes
<b>Net weight (kg)</b>	60,000 kg
<b>Product dimensions WxDxH</b>	xx mm



## Target

<b>Potential users</b>	Bars/Cafes; Hotels; Restaurants/Catering; Bakery/Pastry making; Industrial pastry & bakery test kitchen; Butcher's shops; QSR	<b>Suggested for</b>	Bars/Cafes
------------------------	--	----------------------	------------

## Aesthetics

<b>Colour</b>	Stainless steel	<b>Front panel</b>	Yes
<b>Door with stainless steel strip</b>	Yes	<b>Logo</b>	Smeg printed

## Controls

<b>Adjustable timer</b>	1-60 minutes + continuous
-------------------------	---------------------------

## Programs / Functions

### Cooking functions



Fan assisted



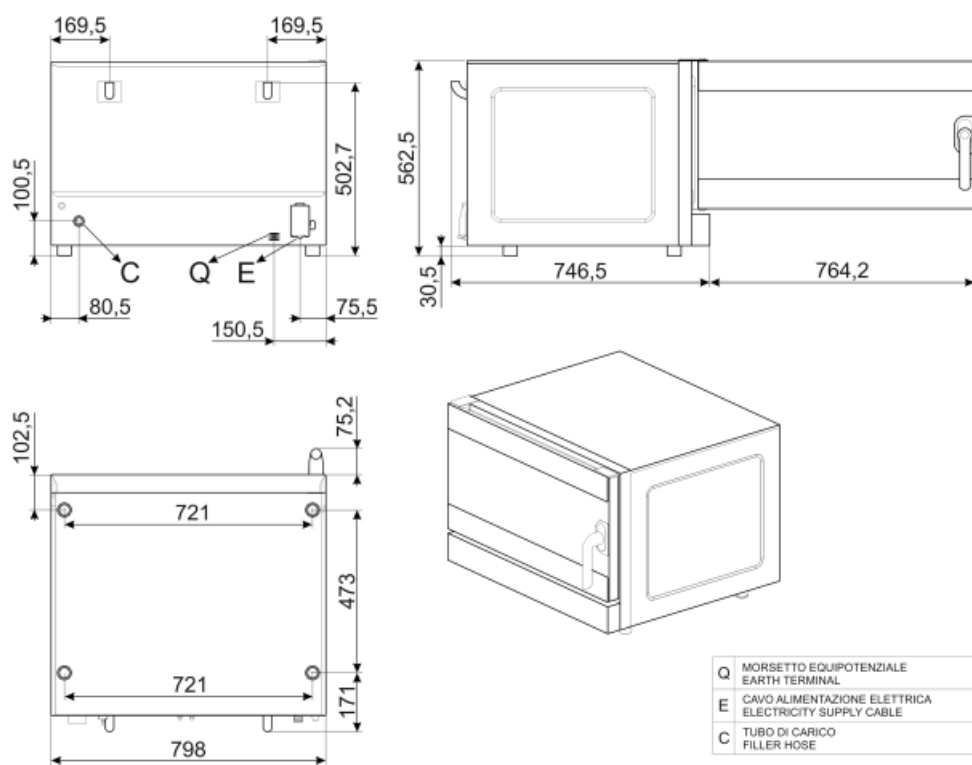
Fan assisted with humidification

## Options

Condense hood K4610X

## Construction

<b>Oven material</b>	Stainless steel/glass/plastics	<b>Steam assisted levels</b>	Manual
<b>Cavity dimensions (WxDxH)</b>	672x437x340mm	<b>Exhaust exit</b>	Back
<b>Gross volume</b>	670x560x420mm	<b>Cooling system</b>	Yes
<b>Net volume</b>	670x560x420mm	<b>Time adjustment</b>	Electromechanical timer
<b>Internal net volume</b>	75 lt	<b>Temperature range</b>	50-270°C
<b>Cavity material</b>	Stainless steel	<b>End of cooking alarm</b>	Yes
<b>No. of shelves</b>	4	<b>Orange light indicator when t° achieved</b>	Yes
<b>Tray support frame</b>	Chrome	<b>Green light indicator when time achieved</b>	Yes
<b>Distance between shelves</b>	77 mm	<b>Heating element interruption with open door</b>	Yes
<b>Door construction</b>	Yes	<b>Manual safety thermostat reset</b>	Yes
<b>Door opening</b>	Lateral	<b>Removable deflector</b>	Yes
<b>Handle type</b>	New ergonomics	<b>No. of lights</b>	2 LED lights
<b>Inner glass</b>	Openable	<b>Light power</b>	40 W
<b>Fan type and number</b>	2 contrarotating fans with time direction reversal	<b>Water connection</b>	Yes
<b>Fan motor power</b>	180W	<b>Power cable length</b>	170 cm
<b>Fan speed</b>	Single speed	<b>Back panel</b>	Galvanized
<b>Max motor speed (rpm)</b>	2	<b>IPX protection</b>	Scheduled start H/12



Q	MORSETTO EQUIPOTENZIALE EARTH TERMINAL
E	CAVO ALIMENTAZIONE ELETTRICA ELECTRICITY SUPPLY CABLE
C	TUBO DI CARICO FILLER HOSE

## Not included accessories



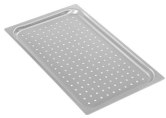
**3805**

Flat chrome-plated wire grid



**3927**

Air flow reducer kit



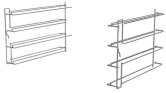
**TF11XH2**

Perforated aluminium GN1/1 tray for Galileo professional



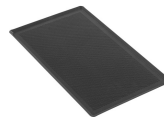
**3743**

Flat aluminium tray



**RGN11-420-2**

Support kit for grids or flat trays GN1/1 suitable for ALFA420/425 models



**TMF11TH2**

GN 1/1 non-sticking microperforated tray

**SVRPP625**

Conjunction kit for 2 ovens series 625/420 and hood



**T11XH20**

2cm height aluminium GN1/1 tray for Galileo professional



**SVRPP420-625**

Connector kit for two stacked ALFA420+420 or ALFA420+625 models and hood



**T11XH65**

6,5cm height aluminium GN1/1 tray for Galileo professional



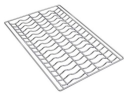
**T11TH20**

2cm height GN1/1 non-stick tray for Galileo professional



**3751**

Flat perforated aluminium tray



**3810**

Corrugated grid for baguettes

**SVRPP420**

Conjunction kit between 2 ovens series 420/425 and hood



**T8S11T**

8 holes GN 1/1 non-sticking tray for Galileo professional



**T11TH40**

4cm height GN1/1 non-stick tray for Galileo professional

## Symbols glossary

---



Fan forced



Fan with humidification