

ALFA43XE2HDS

Product Family	Ovens
Subfamily	Convection ovens
Oven type	Fan with humidification
Oven controls	Electronic
Tray capacity	4 trays 435x320 mm
Default power supply	230 V~ / 13 A / 3,0 kW / 50 Hz
Steam technology	Direct
App for recipe development and upload	Not available
Maximum depth with open door	1178 mm
Adjustable feet	Yes
Net weight (kg)	36.700 kg
Product dimensions WxDxH	602x600x537 mm



Target

Potential users	Bars/Cafes; Hotels; Restaurants/Catering; Bakery/Pastry making; Industrial pastry & bakery test kitchen; Butcher's shops; QSR
------------------------	--

Aesthetics

Colour	Stainless steel	Digital display colour	White and red
Door with stainless steel strip	Yes	Front panel	Yes
Display type	Yes	Logo	Smeg printed

Controls

Number of recipes	99	Cooking steps	2 + pre-heating
Adjustable timer	from 1 minute to 99 hours + endless	HACCP data	Scheduled departure and end cooking with automatic shutdown

Programs / Functions

Cooking functions



Fan assisted



Fan assisted with humidification

Adjustable fan speed



Double speed fan

Options

Condense hood Restaurants/Catering

Accessories Included

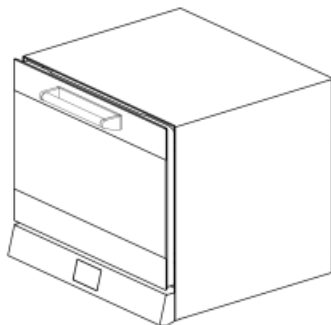
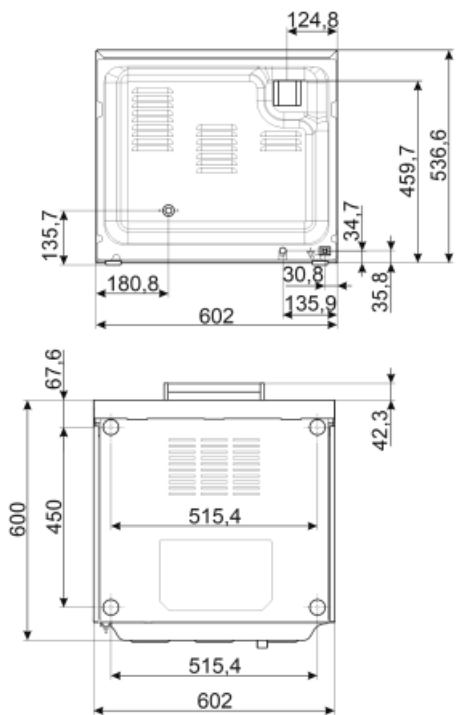
Flat aluminium tray 3820 4 x trays Water connection pipe Yes

Electrical Connection

Plug (F;E) Schuko

Construction

Oven material	Stainless steel/glass/plastics	Humidification system on each fan	Yes
Cavity dimensions (WxDxH)	460x360x425mm	Steam assisted levels	5 + manual
Internal net volume	54.5 lt	Exhaust exit	Back
Cavity material	Easy clean enamel	Time adjustment	Electronic timer
No. of shelves	4	Temperature range	30-270°C
Tray support frame	Chrome	End of cooking alarm	Yes
Distance between shelves	80 mm	Heating element interruption with open door	Yes
Door construction	Yes	Manual safety thermostat reset	Yes
Door opening	Drop down	Removable deflector	Yes
Handle type	Smeg	No. of lights	1 Halogen light
Inner glass	Removable	Light power	40 W
Fan type and number	1	Water connection	Yes
Fan motor power	Double speed	Power cable length	115 cm
Fan speed	Double speed	Back panel	Galvanized
Max motor speed (rpm)	2700 rpm	IPX protection	Scheduled start H/12
Low motor speed (rpm)	2100 rpm		



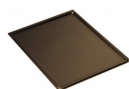
Not included accessories



3820
Flat aluminium tray



4730
External tank kit 5 lt.



3780
Flat non-stick trays



3755
Flat perforated aluminium tray



3926
Air flow reducer kit

Symbols glossary



Double speed fan



Fan forced



Fan with humidification