

ALFA43XUK

Product Family	Ovens
Subfamily	Convection ovens
Oven type	Convection oven
Oven controls	Mechanical
Tray capacity	4 trays 435x320 mm
Default power supply	230 V~ / 13 A / 3,0 kW / 50 Hz
App for recipe development and upload	Not available
Maximum depth with open door	993 mm
Adjustable feet	Yes
Net weight (kg)	32,500 kg
Product dimensions WxDxH	602x580x537 mm



Target

Potential users	Bars/Cafes; Hotels; Restaurants/Catering; Bakery/Pastry making; Industrial pastry & bakery test kitchen; Butcher's shops; QSR
------------------------	--

Aesthetics

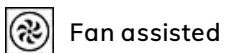
Colour	Stainless steel	Front panel	Yes
Door with stainless steel strip	Yes	Logo	Smeg printed

Controls

Adjustable timer	1-60 minutes + continuous
-------------------------	---------------------------

Programs / Functions

Cooking functions



Fan assisted

Options

Other versions	ALFA43UK version with English plug; ALFA43K version 60Hz; ALFA43KSA version 60Hz with English plug	Condense hood	Restaurants/Catering
-----------------------	--	----------------------	----------------------

Accessories Included

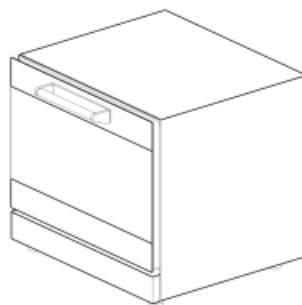
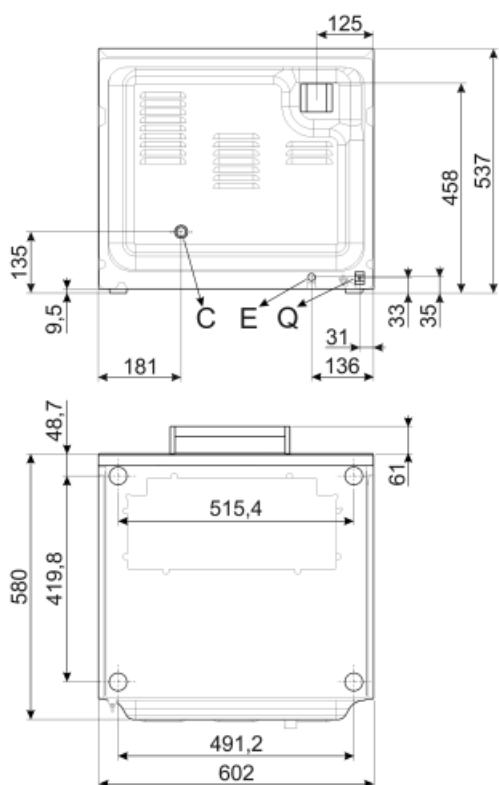
Flat aluminium tray 3820	4 x trays
---------------------------------	-----------

Electrical Connection

Plug	(G) UK e Singapore
-------------	--------------------

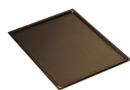
Construction

Oven material	Stainless steel/glass/plastics	Max motor speed (rpm)	2700 rpm
Cavity dimensions (WxDxH)	460x360x425mm	Exhaust exit	Back
Internal net volume	54.5 lt	Time adjustment	Electromechanical timer
Cavity material	Easy clean enamel	Temperature range	50-250°C
No. of shelves	4	End of cooking alarm	Yes
Tray support frame	Chrome	Orange light indicator when t° achieved	Yes
Distance between shelves	80 mm	Green light indicator when time achieved	Yes
Door construction	Yes	Manual safety thermostat reset	Yes
Door opening	Drop down	Removable deflector	Yes
Handle type	Smeg	No. of lights	1 Halogen light
Inner glass	Removable	Light power	40 W
Fan type and number	1	Power cable length	115 cm
Fan motor power	Double speed	Back panel	Galvanized
Fan speed	Single speed	IPX protection	Scheduled start H/12



Q	MORSETTO EQUIPOTENZIALE EARTH TERMINAL
E	CAVO ALIMENTAZIONE ELETTRICA ELECTRICITY SUPPLY CABLE
C	TUBO DI CARICO (solo su alcuni modelli) FILLER HOSE (on some models only)

Not included accessories



3780
Flat non-stick trays



3755
Flat perforated aluminium tray



3926
Air flow reducer kit

Symbols glossary



Fan forced