

ALFA625H-2

Product Family	Ovens
Subfamily	4 trays 600x400 mm o GN1/1
Oven type	Fan with humidification
Oven controls	Mechanical
Tray capacity	6 trays 600x400 mm - GN1/1
Default power supply	400 V 3N~ / 16 A / 10,5 kW / 50-60 Hz
Steam technology	Direct
App for recipe development and upload	Not available
Maximum depth with open door	1521 mm
Adjustable feet	Yes
Net weight (kg)	76,000 kg
Product dimensions WxDxH	798x757x793 mm



Target

Potential users	Bars/Cafes; Hotels; Restaurants/Catering; Bakery/Pastry making; Industrial pastry & bakery test kitchen; Butcher's shops	Suggested for	Bars/Cafes
------------------------	--	----------------------	------------

Aesthetics

Colour	Stainless steel	Front panel	Yes
Door with stainless steel strip	Yes	Logo	Smeg printed

Controls

Adjustable timer	1-60 minutes + continuous	Adjustable chimney	Manual
-------------------------	---------------------------	---------------------------	--------

Programs / Functions

Cooking functions



Fan assisted



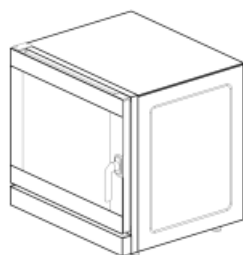
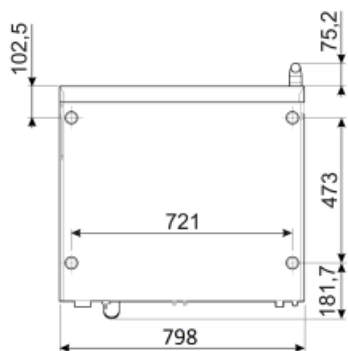
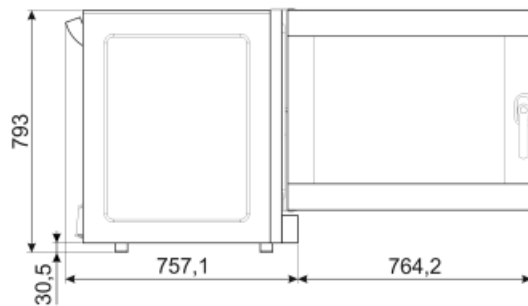
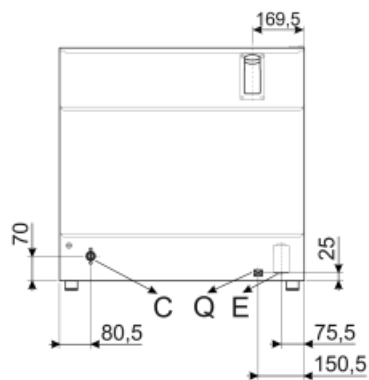
Fan assisted with humidification

Options

Right hand hinge	ALFA625HR-2	Condense hood	K4610X
Right hand hinge	ALFA1035EHDSR		

Construction

Oven material	Stainless steel/glass/plastics	Humidification system on each fan	Yes
Cavity dimensions (WxDxH)	672x437x546mm	Steam assisted levels	Manual
Gross volume	460x360x425mm	Exhaust exit	Back
Net volume	460x360x425mm	Time adjustment	Electromechanical timer
Internal net volume	127,3 lt	Temperature range	50-270°C
Cavity material	Stainless steel	End of cooking alarm	Yes
No. of shelves	6	Orange light indicator when t° achieved	Yes
Tray support frame	Chrome	Green light indicator when time achieved	Yes
Distance between shelves	77 mm	Heating element interruption with open door	Yes
Door construction	Yes	Manual safety thermostat reset	Yes
Door opening	Lateral	Removable deflector	Yes
Handle type	New ergonomics	No. of lights	2 LED lights
Inner glass	Openable	Light power	40 W
Fan type and number	2 contrarotating fans with time direction reversal	Water connection	Yes
Fan motor power	180W	Power cable length	170 cm
Fan speed	Single speed	Back panel	Galvanized
Max motor speed (rpm)	2	IPX protection	Scheduled start H/12



Q	MORSETTO EQUIPOTENZIALE EARTH TERMINAL
E	CAVO ALIMENTAZIONE ELETTRICA ELECTRICITY SUPPLY CABLE
C	TUBO DI CARICO FILLER HOSE

Not included accessories



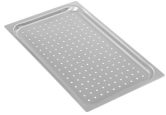
3805

Flat chrome-plated wire grid



3927

Air flow reducer kit



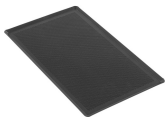
TF11XH2

Perforated aluminium GN1/1 tray for Galileo professional



3743

Flat aluminium tray



TMF11TH2

GN 1/1 non-sticking microperforated tray

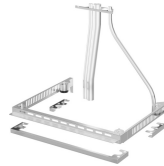
SVRPP625

Conjunction kit for 2 ovens series 625/420 and hood



T11XH20

2cm height aluminium GN1/1 tray for Galileo professional



SVRPP420-625

Connector kit for two stacked ALFA420+420 or ALFA420+625 models and hood



T11XH65

6,5cm height aluminium GN1/1 tray for Galileo professional



T11TH20

2cm height GN1/1 non-stick tray for Galileo professional

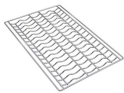


RGN11-625-2



3751

Flat perforated aluminium tray



3810

Corrugated grid for baguettes



T8S11T

8 holes GN 1/1 non-sticking tray for Galileo professional



T11TH40

4cm height GN1/1 non-stick tray for Galileo professional

Symbols glossary



Fan forced



Fan with humidification