

MTE30 - MTE40



istruzioni per l'uso

instructions for use

instrucciones de uso

instructions d'utilisation

bedienungsanleitung

تعليمات الاستخدام

**DATI TECNICI / TECHNICAL SPECIFICATIONS / DATOS
TECNICOS / DONNÉES TECHNIQUES / TECHNISCHE
DATEN / المواصفات الفنية**

	MTE30	MTE40
CLASSE DI PRODOTTO / PRODUCT CLASSIFICATION / CLASE DE PRODUCTO / CLASSE DE PRODUIT / PRODUKTKLASSE / تصنيف المنتج	30 l	40 l
DIMENSIONI HxWxD (mm) / DIMENSIONS (mm) / DIMENSIONES (mm) / DIMENSIONS (mm) / ABMESSUNGEN (mm) / الأبعاد (مم)	480 × 385 × 385	550 × 405 × 440
TENSIONE (V) / VOLTAGE (V) / TENSIÓN (V) / VOLTAGE (V) / SPANNUNG (V) / الجهد (فولت)	220 ~ 240	220 ~ 240
FREQUENZA (Hz) / FREQUENCY (Hz) / FRECUENCIA (Hz) / FRÉQUENCE (Hz) / FREQUENZ (Hz) / التردد (هرتز)	50 / 60	50 / 60
POTENZA NOMINALE (W) / RATED INPUT (W) / POTENCIA NOMINAL (W) / PUISSANCE NOMINALE (W) / NENNLEISTUNG (W) / الدخل المُقنن (وات)	58	58
PESO NETTO (KG) / NET WEIGHT (KG) / PESO NETO (KG) / POIDS NET (KG) / NETTOGEWICHT (KG) / الوزن الصافي (كجم)	9,1	11,2
GAS REFRIGERANTE E CARICA / REFRIGERANT GAS AND CHARGE / GAS REFRIGERANTE Y CARGA / GAZ RÉFRIGÉRANT ET CHARGE / KÄLTEMITTELGAS UND LADUNG / غاز التبريد وشحن	R600a 0,025 kg	R600a 0,025 kg

Smeg si riserva il diritto di modificare le caratteristiche tecniche e di design senza preavviso.

Design and Specifications are subject to modification without notice.

Smeg se reserva el derecho de realizar modificaciones en cualquier momento y sin aviso previo.

Smeg se réserve le droit d'effectuer tout changement technique et de design sans préavis.

Technische Änderungen jederzeit und ohne Vorankündigung vorbehalten.

يخضع التصميم والمواصفات للتعديل دون إشعار.

NOTE: Ulteriori informazioni sono riportate nella etichetta dati tecnici all'interno del prodotto.

NOTE: Further information is provided on the technical data label inside the product.

NOTE: Podrá encontrar más información en la etiqueta de datos técnicos presente en el interior del producto.

NOTE: Des informations supplémentaires figurent sur l'étiquette à l'intérieur du produit.

HINWEIS: Weitere Informationen sind innerhalb des Produktes auf dem Etikett der technischen Daten angegeben.

ملاحظة: تتوفر معلومات إضافية عن ملصق البيانات الفنية داخل المنتج.



MTE30 - MTE40

GENERAL INFORMATION

The thermo-electric cooling system Minibar is both reliable and safe.

This cooling system is based on the use of direct current; on the contact surface of two different conducting substances, on one side (cold side) heat is absorbed, on the other (hot) side, heat is generated (see figure 01).



INSTRUCTIONS

The minibars cannot be installed in the open, even if they are covered by a canopy.

When connecting the minibar do not to use multi-socket extensions and make sure that the cable does not kink or become compressed if the minibar is being fitted between other elements of furniture.

Before carrying out any cleaning or maintenance operation, do disconnect the minibar from mains. Indeed, setting the temperature adjusting knob to "0" (zero) and consequently switching the refrigerator off does not remove the risk of electric contact.

Only if the appliance is correctly installed will it give the best possible performance and reliability.

Smeg shall not be responsible for any injuries to persons or damage to property and/or the minibar itself, which are the result of any installation not complying with the installation procedure shown in this manual.



WARNING!

- Before the installation and use of the appliance, carefully read the supplied instructions
- Always keep the instructions with the appliance for future reference
- Please keep the products away from the fire or similar glowing substance before you dispose the refrigerator.
- The appliance cannot be used in public transportation.
- Young children should be supervised to ensure that they do not play with the appliance.
- The appliance is not intended for use by young children or infirm persons unless they have been adequately supervised by a responsible person to ensure that they can use the unit safely.
- This appliance can be used by children aged from 8 years and above and persons with reduced physical, sensory or mental capabilities or lack of experience and knowledge if they have been given supervision or instruction concerning use of the appliance in a safe way and understand the hazards involved
- This appliance may be used by children between 3 and 8 years of age and persons with very extensive and complex disabilities, if they have been properly instructed
- Children of less than 3 years of age should be kept away from the appliance unless continuously supervised
- Do not let children play with the appliance
- Children shall not carry out cleaning and user maintenance of the appliance without supervision
- Keep all packaging away from children and dispose of it appropriately
- This refrigerating appliance is intended to be used at ambient temperatures ranging from 16 °C to 32 °C
- Wait at least 4 hours before connecting the appliance to the power supply. This is to allow the oil to flow back in the compressor.
- This refrigerating appliance is not suitable for freezing foodstuffs.
- There is no difference in consumption between the possible configuration of the shelves/basket
- Setting the fridge to a lower temperature (higher thermostat setting) will results to a longer foodstuffs maintaining
- There are no most appropriate compartments of the appliance where specific types of food need to be stored. The appliance is not big enough to take into account different temperature distribution inside of it.
- Keep ventilation openings, in the appliance enclosure or in the built-in structure, clear of obstruction.

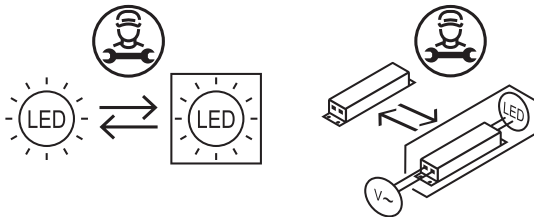
- Do not use mechanical devices or other means to accelerate the defrosting process, other than those recommended by the manufacturer.
- Do not damage the refrigerant circuit.
- Do not use electrical appliances inside the food storage compartments of the appliance, unless they are of the type recommended by the manufacturer.
- Do not store explosive substances such as aerosol cans with a flammable propellant in this appliance.
- Risk of fire and electrical shock or fire.
- Be careful not to cause damage to the refrigerant circuit. It contains isobutane (R600a), a natural gas with a high level of environmental compatibility. This gas is flammable.
- If damage occurs to the refrigerant circuit, make sure that there are no flame and sources of ignition in the room. Ventilate the room.
- Do not let hot items touch the plastic parts of the appliance.
- Do not store flammable gas and liquid in the appliance.
- Do not put flammable products or items that are wet with flammable products in, near or on the appliance.
- Do not touch the con-denser. It is hot!


WARNING!

- Use the minibar exclusively for cooling and storing closed beverages and snacks.
- Do not store any perishable food in the minibar.
- Food may only be stored in its original packaging or in suitable containers.
- The minibar is not intended to be brought into contact with food.
- The minibar is not intended for the proper storage of medicines. See the instructions in the package leaflet for the medicinal product.

LIGHT SOURCES

This appliance contains light sources which cannot be replaced by the user and must only be replaced by th technical assistance.



MTE30 - MTE40

INSTALLATION

To make sure the minibar is correctly installed it is advisable to guarantee that the refrigeration by practising opening the door for the entry and exit of the air as shown in figure 02.

VENTILATION

The refrigeration system gives off heat and requires a good level of ventilation and must be placed in a well-ventilated environment. The minibar should be installed in an environment with an opening to provide the necessary change of air (see figure 02) and under no circumstances should the grills, which provide good ventilation for the appliance, be covered or blocked. Also remember never to set the unit in an area directly exposed to sunlight or near other sources of heat.

ELECTRICAL CONNECTION AND EARTHING

Before connecting the plug to the mains, make sure the mains voltage corresponds to that shown on the rating plate (located inside the minibar) and that the socket has a normal earthed system as required by safety regulations for electrical systems. The electrical socket must also be able to support the maximum power loading of the appliance indicated on the plate itself.



WARNING!

If the socket is not fitted with an earthed system or if multiple sockets or adapters are used, the manufacturer shall not be liable for any injuries to persons or damage to property and/or the minibar itself.



WARNING!

The user must always be able to access the plug.

USE

When connecting the plug to the mains outlet, the minibar starts operating immediately, unless the temperature adjusting knob is set to "0" (zero)" (see figure 03).

HINTS AND TIPS

Normal operating sounds

The following sounds are normal during operation:

- A faint gurgling and bubbling sound from coils sound when refrigerant is pumped.
- A whirring and pulsating sound from the compressor when refrigerant is pumped.
- A sudden cracking noise from inside appliance caused by thermic dilatation (a natural and not dangerous physical phenomenon).
- A faint click noise from the temperature regulator when the compressor switches on or off.

Hints for energy saving

- Do not open the door frequently or leave it open longer than absolutely necessary.

TEMPERATURE SETTING

The knob for the temperature adjusting thermostat is located in the upper part of the internal liner of the refrigerator.

To set the internal temperature, adjust the control knob according to the ambient temperature or based on the use the refrigerator is intended to.

The temperature control range is comprised of the following levels:

- position 0 = refrigerator off
- position 1 = minimal refrigeration (higher internal temperature)
- position 2 = medium refrigeration (intermediate internal temperature)
- position 3 = maximum refrigeration (lower internal temperature)

When the surrounding temperature is 25°C and the appliance has no foodstuffs in it, it will take around 3.5 hours to decrease the temperature from 25°C to 17°C (with thermostat on setting 1).

The recommended thermostat setting is the setting 1 of thermostat.

APPLYING THE DRAFT

(see figure 04)

The draft is a device - consisting of two parts, A and B - which connects the door of the Minibar to the door of the piece of furniture it is fitted into, both when opening and when closing.

To install the draft, proceed as follows:

- screw the part A onto the door of the Minibar;
- open the door of the Minibar by 90°;
- screw the part B, perfectly horizontal, to the inside of the leaf of the piece of furniture, and fit it into the part A so it can work as a sliding guide;
- fasten the lower part of the refrigerator to the base of the cabinet containing it by means of the brackets C.

REVERSING THE DOOR OPENING SIDE

(see figure 05)

In the built-in models, the door can be hooked to the door of the cabinet housing it through a special towing device, which enables simultaneous opening (dragging system). In the case where the door opens on the opposite side to the cabinet door, it can be reversed as follows:

- undo the screws holding the pin E to the fridge structure;
- remove the cover F;
- unscrew the screws securing pin D to the fridge structure;
- screw pin G into the position previously occupied by pin D;
- screw pin D into the position previously occupied by pin E;
- reposition the cover F on the opposite side of the structure.

MTE30 - MTE40

CARE AND CLEANING

- Regularly clean the inside and outside of the refrigerator using only warm water and a neutral detergent.
- Subsequent to washing, rinse with clean water and dry thoroughly using a soft cloth.
- Do not use the following: special glass and mirror cleaning products, liquid, powder, or spray detergents, alcohol, ammonia or abrasive products.
- If you are not using the minibar, we suggest cleaning it well inside and leaving the door ajar to ventilate the interior.
- Before maintenance, deactivate the appliance and disconnect the mains plug from the mains socket.
- This appliance contains hydrocarbons in the cooling unit. Only a qualified person must do the maintenance and the recharging of the unit.
- Regularly examine the drain of the appliance and if necessary, clean it. If the drain is blocked, defrosted water collects in the bottom of the appliance.
- The interior of the wine cellar should be cleaned regularly to avoid odor.
- Check the door gasket regularly to make sure there are no debris.
- Please turn off the power before cleaning, remove all food, shelves, drawers, etc.
- Clean the inside surfaces with a warm water and baking soda solution. The solution should be about 2 tablespoons of baking soda to a quart of water.
- Rinse and dry thoroughly.

SERVICE

In the event of failure or a technical fault, make sure that:

- a) the plug is correctly plugged into the mains socket;
- b) the mains voltage corresponds to the voltage shown on the TECHNICAL DATA table;
- c) the temperature adjusting knob is not in the position "0";
- d) the fridge is not near sources of heat or exposed to sunlight;
- e) the refrigerator is installed in such a way, to respect the ventilation openings.
- f) To repair the appliance, contact an Authorized Service Centre. Use original spare parts only.
- g) If the refrigerator still does not work please contact an Authorized Service Centre or refer to the contacts in our website: <https://www.smeg.com/services/customer-service>
- h) Please note that self-repair or nonprofessional repair can have safety consequences and might void the guarantee.
- i) The following spare parts will be available for 7 years after the model has been discontinued: thermostats, temperature sensors, printed circuit boards, light sources, door handles, door hinges, trays and baskets. Please note that some of these spare parts are only available to professional repairers, and that not all spare parts are relevant for all models. Door gaskets will be available for 10 years after the model has been discontinued.
- j) If you need to order a spare part please contact an Authorized Service Centre or refer to the contacts on the website: <https://www.smeg.com/services/customer-service>

TECHNICAL DATA: EPREL DATABASE

The technical information is situated in the rating plate on the internal side of the appliance and on the energy label. The QR code on the energy label supplied with the appliance provides a web link to the information related to the performance of the appliance in the EU EPREL database. Keep the energy label for reference together with the user manual and all other documents provided with this appliance.

It is also possible to find the same information in EPREL using the link <https://eprel.ec.europa.eu> and the model name and product number that you find on the rating plate of the appliance. See the link www.theenergylabel.eu for detailed information about the energy label. The technical information are situated in the rating plate, on the external or internal side of the appliance and in the energy label

ONLY FOR SALES WITHIN THE EUROPEAN COMMUNITY (EU)

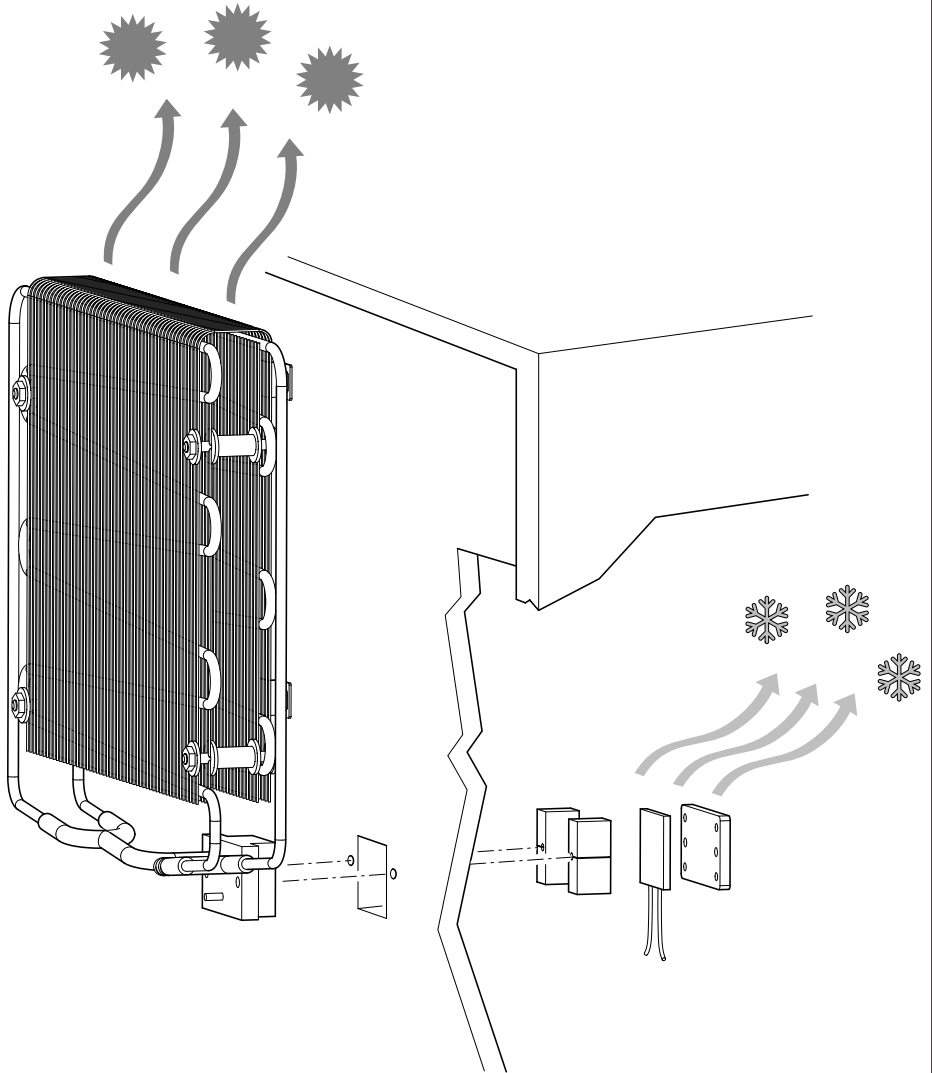
This appliance is marked according to the European Directive 2012/19 / EU (WEEE). The symbol on the product indicates that this product should not be treated as household waste.

Ensure that this product is not entered as part of the flows of municipal waste but treated as professional WEEE.



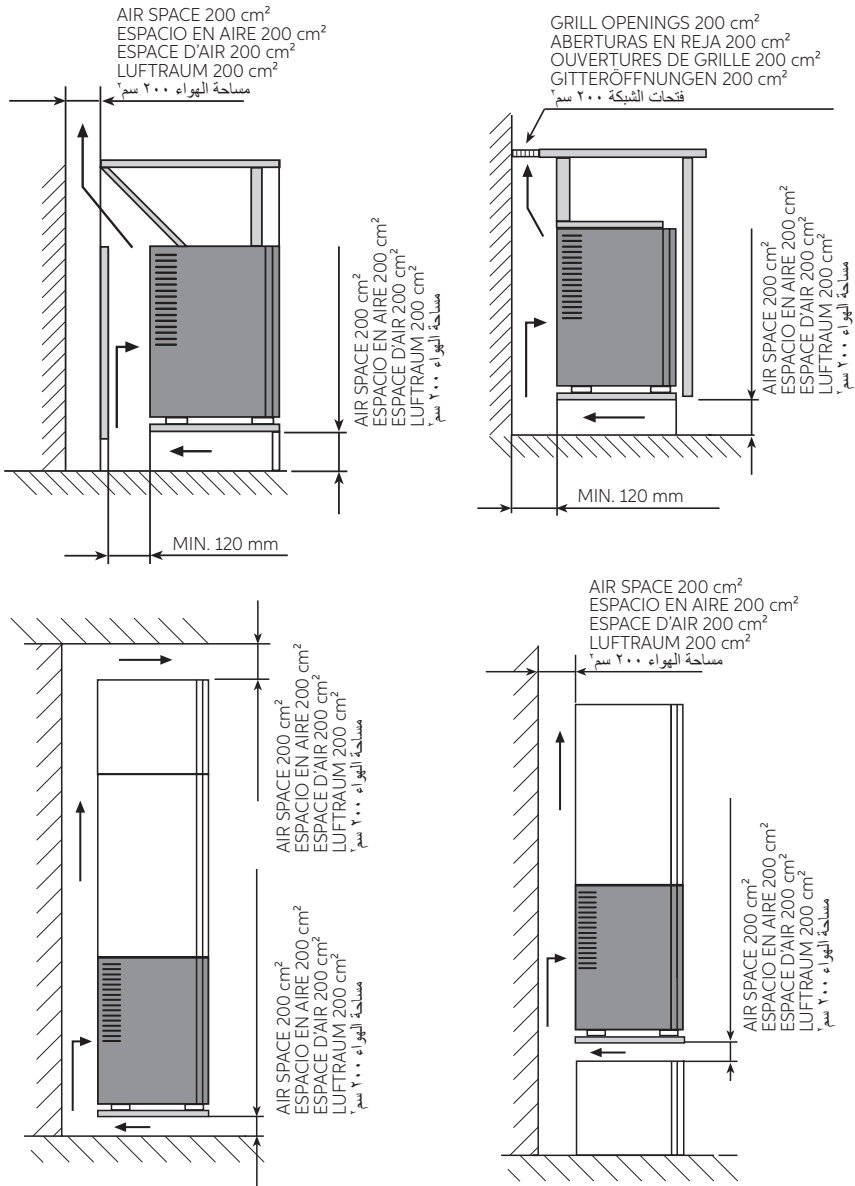
MTE30 - MTE40

FIG. 01



MTE30 - MTE40_(220V)_IM_20220517

FIG. 02



MTE30 - MTE40

FIG. 03

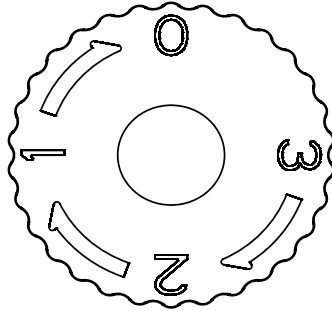
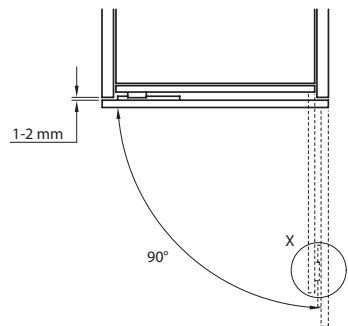
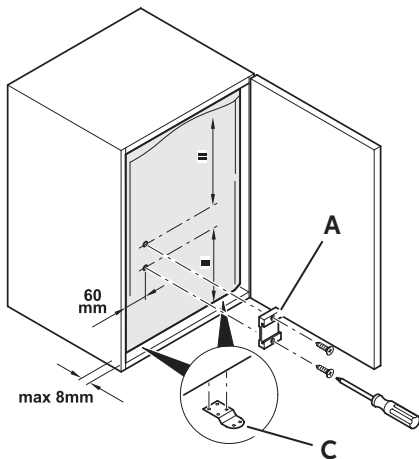
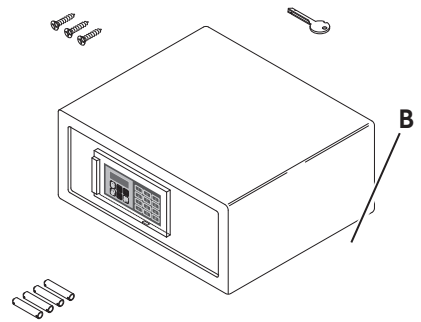
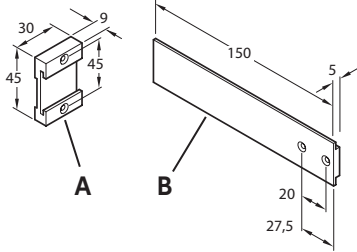
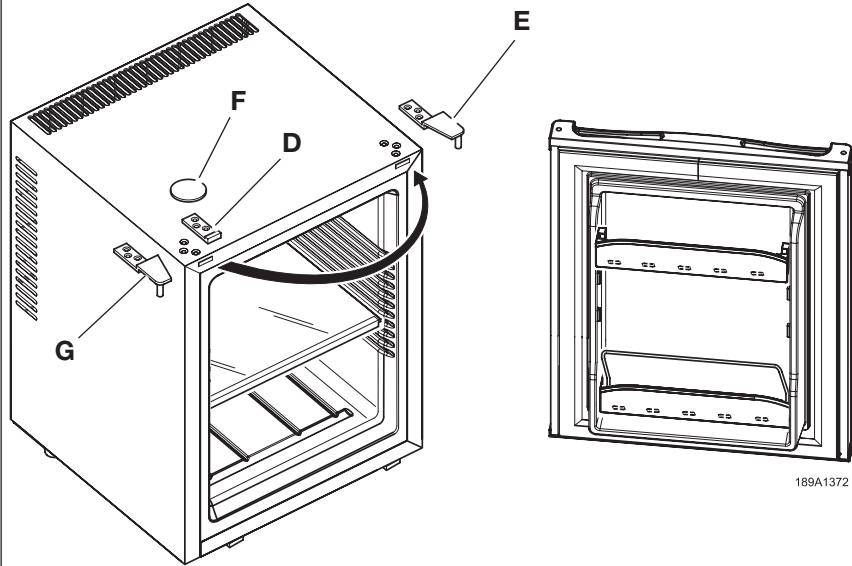


FIG. 04



MTE30 - MTE40_(220V)_IM_20220517

FIG. 05



189A1372