**Catalytic Cleaning – a spotless oven with only a wipe**

Catalytic Cleaning prevents dirt and grease from building up in the oven. This self-cleaning technology automatically activates when the temperature reaches 250°C and removes cooking residue. No scrubbing needed.

This large-capacity oven is specially designed to cook several different dishes at once, taking all the stress out of preparing a meal.

Product Benefits & Features**Catalytic Cleaning – a spotless oven with only a wipe**

Catalytic Cleaning prevents dirt and grease from building up in the oven. This self-cleaning technology automatically activates when the temperature reaches 250°C and removes cooking residue. No scrubbing needed.

- 2 semi-rapid burners
- 1 simmer burner
- Enamel pan supports
- Stylish glass lid
- Top cavity features:
 - Allows you to cook traditional food with perfect results
- Main oven features:
 - Gas cut-off safety device
 - Multi-zone oven
- Cooker features:

Who wants to wait? Get heat quickly with gas

The gas hob on our freestanding cooker cuts down on waiting time in the kitchen. As soon as you ignite the flame under your pots and pans, they're heated up quickly – ready for use. And the hob controls are highly responsive, meaning it's easy to use.

Gas oven for instant heat and great results day after day

When it comes to fast, simple and reliable day-to-day cooking, gas can be your best friend. With its instant heat and fast temperature changes, this gas oven is a top performer across the whole range of basic baking and roasting functions - giving you the convenience of great results day after day.

The oven that's easier and more convenient to clean!

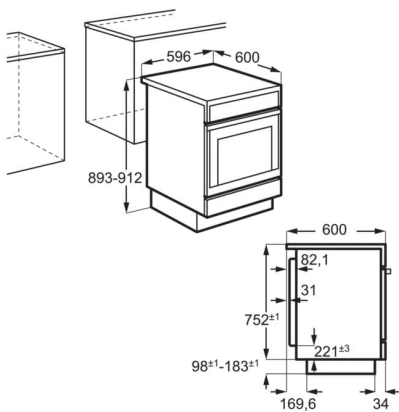
The moveable shelf supports make it easier than ever to give your oven a thorough clean, even in those tricky corners, in less time and with less effort.

Product Specification

Dimensions	899-917x600x600
Voltage (V)	240
Total electricity loading, W	2400
Cord Length	1.6
Required Fuse	13
Cavity Size (L)	83
Cavity Size, Second Cavity (L)	36
Largest Surface area	1254
Colour	Black
Self-Cleaning?	Catalytic
Cleaning Bottom Oven	Catalytic
Power Management	No
Energy class	A
Energy efficiency class	A
Energy consumption, conventional mode, kWh per cycle	1.8
Energy consumption per EU standard cycle	1.35
Right front - Power/Diameter	950W/66mm
Right rear - Power/Diameter	1900W/80mm
Dial	3400W/128mm
Rear - Power/Diameter	1900W/80mm
Tray types included	1 Dripping pan black enamel
Type of Trays - Bottom Oven	No

Main Oven - Shelves Included	White Plastic, 2 Flat shelf chromed wirework
Grids type - Bottom Oven	1 Flat shelf chromed wirework
Runners	Grid Runners
Runners - Bottom Oven	Grid Runners
Gas supply: natural gas	G20 (2H) 20 mbar
ProdPartCode	All Open

PSGBCO190DE00003



PSGBCO190DE00006

