



CTE61

Extractor

Installation, use and maintenance



Contents:

3	Important
5	Important information
6	Using your extractor
7	Care and maintenance
9	Troubleshooting
10 - 13	Installation
10	Installation - height
11	Installation - preparation and ducting
12	Installation - mounting the extractor
14	Mains electrical connection
17	Energy efficiency information

Important

The CDA Group Ltd cannot be held responsible for injuries or losses caused by incorrect use or installation of this product. Please note that CDA reserve the right to invalidate the guarantee supplied with this product following incorrect installation or misuse of the appliance or use in a commercial environment.

This appliance is not designed to be used by people (including children) with reduced physical, sensorial or mental capacity, or who lack experience or knowledge about it, unless they have had supervision or instructions on how to use the appliance by someone who is responsible for their safety.

Under no circumstances should any external covers be removed for servicing or maintenance except by suitably qualified personnel.

Appliance information:

Please enter the details on the appliance rating plate below for reference, to assist CDA Customer Care in the event of a fault with your appliance and to register your appliance for guarantee purposes.

Appliance Model	
-----------------	--

Serial Number	
---------------	--

EU Declarations of Conformity:

This appliance has been manufactured to the strictest standards and complies with all applicable legislation, including Gas safety, Electrical

safety (LVD) and Electromagnetic interference compatibility (EMC).

IMPORTANT INFORMATION FOR CORRECT DISPOSAL OF THE PRODUCT IN ACCORDANCE WITH EU DIRECTIVE 2012/19/EU.

At the end of its working life, the product must be taken to a special local authority waste collection centre or to a dealer providing appliance recycling services.

Disposing of a household appliance separately avoids possible negative consequences for the environment and health. It also enables the constituent materials to be recovered, saving both energy and resources. As a reminder of the need to dispose of household appliances separately, the product is marked with a crossed-out wheeled dustbin.

Please note:

- Under no circumstances should the extractor be connected to any gas ventilation system, flue system or hot air ducting system.
- Do not vent the extractor into an attic or loft space.
- Only house the extractor in rooms with adequate ventilation. Remember that the extractor is powerful and whatever air is extracted needs to be replaced.
- Do not tile the extractor in. It should be removable for service or maintenance.
- Do not use silicone sealant to secure the hood to the wall.
- You must be able to isolate the extractor from the mains electrical supply after installation.
- This appliance has been designed to be used in a room with a volume of less than 36m³.
- Steam cleaners must not be used when cleaning this appliance.
- The performance of your extractor will vary depending on a number of factors. These include: type of extraction, length of ducting, room volume, ventilation available and cleanliness of the filters.

Using your extractor

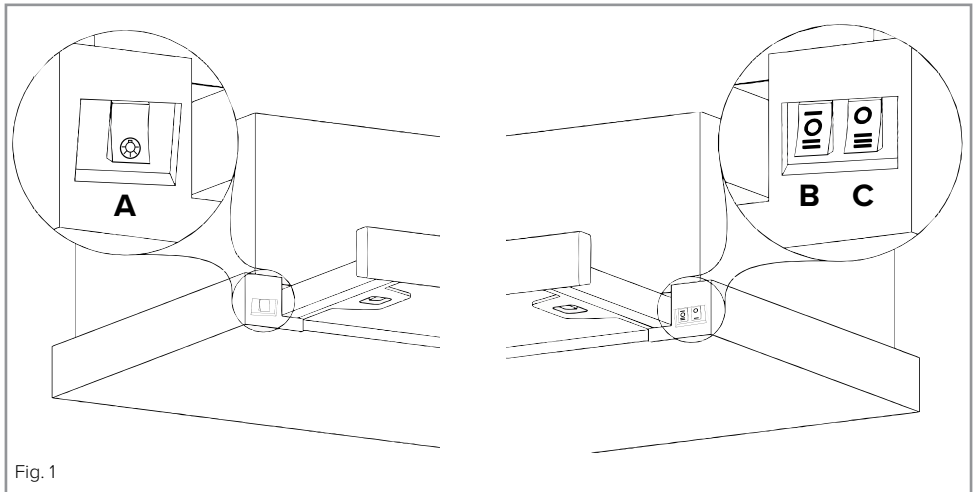
For best performance, you should switch on the extractor 15 minutes before starting to cook and leave it to run for approximately 15 minutes after the end of cooking.

Controls

A - Lamp switch

B - Left speed switch

C - Right speed switch



To switch the extractor on and adjust speed

Slide open the canopy and activate either switch B or switch C (Fig. 1). Switch B, the left speed switch, has three positions; speed 1, speed 2 and off. Switch C, the right speed switch, has two positions; speed 3 and off.

To switch the extractor off

Simply close the sliding canopy (the extractor will resume when the canopy is re-opened). However, if leaving the appliance off for a long time, ensure that the left speed switch is in the off (centre) position and the right speed switch is in the off position.

To switch the lights on

Slide open the canopy and activate the lamp switch (A). Fig. 1 shows the switch in the off position.

To switch the lights off

Simply close the sliding canopy. The lights will come back on when the canopy is re-opened. However, if leaving the appliance off for a long time, ensure that the lamp switch is in the off position.

Care and maintenance

IMPORTANT: DO NOT PERFORM MAINTENANCE OR CLEANING OF THE EXTRACTOR WITHOUT FIRST SWITCHING OFF THE ELECTRICITY SUPPLY.

Cleaning

You should use a nonabrasive cleaner. Any abrasive cleaner (including Cif) will scratch the surface and could erase the control panel markings.

You can clean your extractor effectively by simply using a dilute solution of water and mild detergent and drying to a shine with a clean cloth, for example a micro-fibre Cloth.

Cleaning the grease filters

The grease filters should be kept clean to minimise the risk of fire.

At least once a month you should remove and clean the grease filters with hot soapy water. You can also wash the grease filters in a dishwasher, ensuring that you place them in an upright position to prevent damage from other items in the dishwasher.

To remove the grease filters, push in the button on the handle and then pull down on the filter at the front. When you have released it at the front, then you can pull the filter out completely.

After rinsing and drying, reassemble the grease filters to the hood by reversing the removal process.

Please note:

Cleaning the grease filters in the dishwasher may lead to discolouration. This is normal and does not constitute a fault with the appliance.

Changing the charcoal filter (re-circulating mode only)

To ensure best performance of your extractor, you should replace the charcoal filters every four to six months, depending on use. The charcoal filters are an optional accessory. These are available from the CDA Sales team on 01949 862010 under code CHA34.

To attach the charcoal filters:

- Remove the grease filters as described above.
- Align the slots on the charcoal filter with the notches on the side of the motor. Place the filter onto the motor and turn clockwise slightly. The filter should hold firmly in place. Repeat with the other side.
- Finally, replace the grease filters.

Troubleshooting

Please note:

Your extractor is equipped with a motor protection device that will switch off the motor to prevent damage from overheating. This may happen during cooking when most or all of a hob's zones/burners are being used simultaneously, or if your extractor is installed incorrectly, lower than the recommended height.

This is normal, and the extractor will work again once the motor has cooled sufficiently.

If your extractor is not working:

1. Check that the mains supply has not been switched off.
2. Check that the fuse in the spur has not blown.
3. Check that a speed switch is active and the canopy is open.

If your lights are not working:

1. Check that the mains supply has not been switched off.
2. Check that the fuse in the spur has not blown.
3. Check that the lamp switch is on and the canopy is open.
4. If the extractor still extracts, then it's possible both bulbs have gone.

Contact CDA Customer Care

A: Customer Care Department, The CDA Group Ltd, Harby Road,
Langar, Nottinghamshire, NG13 9HY

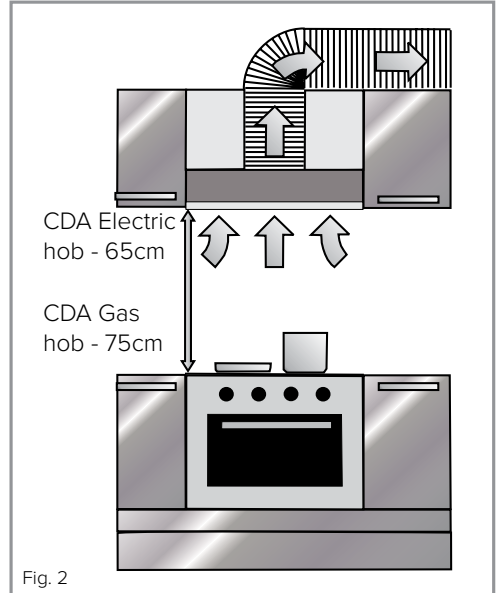
T: 01949 862 012 **F:** 01949 862 003 **E:** customer.care@cda.eu

W: www.cda.eu

Installation - height

When the extractor is to be installed above a **CDA** electric hob, the minimum distance between the hob and extractor must exceed 650mm.

When the extractor is to be installed above a **CDA** gas hob, the minimum distance between the hob and extractor must exceed 750mm.



If the instructions provided with your gas hob state that the required distance between the hob and extractor must be greater than 750mm, then that is the distance that should be observed; this is a legal requirement and may lead to your hob being disconnected from the gas supply and the installation being reported under RIDDOR.

Note: The height should be measured from the top of the hob's burners to the grease filter.

- **IN THE ABSENCE OF ANY INSTRUCTIONS SUPPLIED WITH THE GAS HOB, THE MINIMUM DISTANCE BETWEEN THE HOB AND EXTRACTOR MUST BE AT LEAST 760mm.**
- **The width of any hob must not be greater than the width of the extractor installed above it.**
- **Always bear servicing in mind. The extractor should always be easily accessible or removeable after installation.**

Installation - preparation and ducting

The metal casing of this appliance has been coated with a film to protect it during transport and storage. This should be removed during installation and any adhesive removed by using a non-abrasive stainless steel cleaner. Always follow the instructions given with the cleaner being used. Please ensure that there is no power being supplied to the appliance whilst you do this.

Ducting

For best performance and lowest noise output, we recommend the use of 120mm ducting. Lesser diameter ducting may not fit the outlet (115mm), may reduce performance and increase the noise of the extractor. Wherever possible use rigid circular pipe which has a smooth interior, rather than the expanding concertina type ducting. The lengths of the ducting without performance being affected are as follows:

- 4 metres with 1 x 90° bend.
- 3 metres with 2 x 90° bends.
- 2 metres with 3 x 90° bends.

Please note:

- We recommend that you seek the help of another individual when installing this product.
- We recommend that you wear PPE when handling this extractor.
- The fixings supplied are suitable for most installations. It is the responsibility of the installer to ensure that the fixings are suitable.
- **Cover any hob, or surface below the area in which the extractor is to be installed, so that no damage befalls it.**

Installation - mounting the extractor

This extractor is designed to be installed within a bridging unit and is not suitable for direct wall mounting. It is intended to be held in place within the unit by four screws through a support shelf. The positions of these screws, and the ducting outlet cutout, are shown on a template supplied with the appliance. In the unlikely event of the template being missing, the below measurements may aid you.

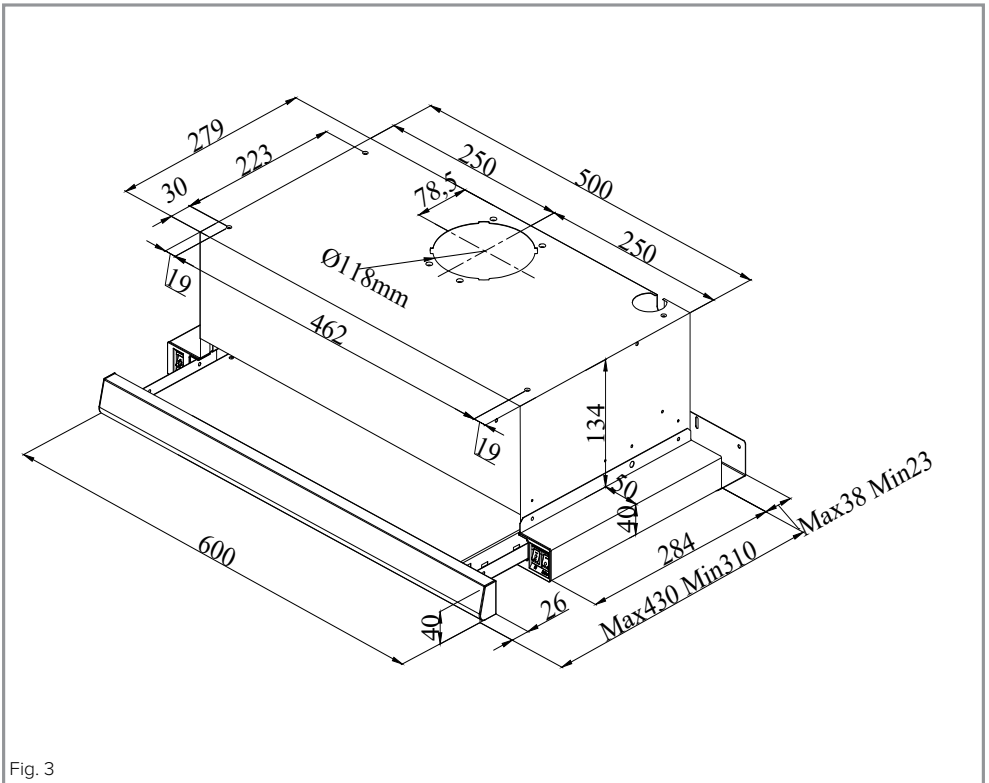


Fig. 3

To achieve a flush fit with a decor door on the bridging unit, adjust the depth of the cutout by an amount equal to the difference between either 18 or 25.6mm and the thickness of the decor door. **Please note that the canopy lip is shaped. The upper edge, which the decor door will meet, is 18mm thick.**

Using the template supplied, drill out the mounting screw holes, the ducting outlet and a route for the mains lead, if required. Attach the ducting adapter, supplied with the appliance, to the extractor.

Remove the grease filters to stop them being damaged. Attach the ducting to the extractor and then fit the extractor into the unit, routing the ducting first. Whilst the person helping is supporting the unit, fit four screws through the unit shelf and into the extractor top. Ensure that the extractor is firmly in position and re-fit the grease filters.

A bracket has been supplied to cover a gap between the unit/wall and the back of the extractor. This attaches to the extractor via holes near the lamp covers and then to the unit/wall. It offers adjustment.

Please note: If you are recirculating the air back into the kitchen, then ducting should be used to channel the air out of the unit. An example is shown below in Fig. 4. A non-return flap or similar should be employed to prevent debris etc. falling into the ducting.

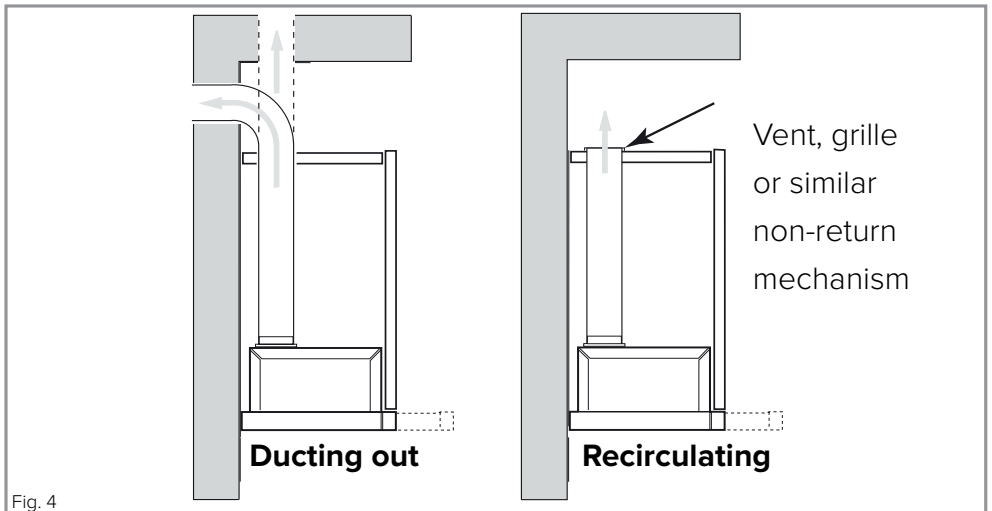


Fig. 4

Mains electrical connection

THIS APPLIANCE MUST BE CONNECTED TO THE MAINS SUPPLY BY A COMPETENT PERSON, USING FIXED WIRING VIA A DOUBLE POLE SWITCHED FUSE SPUR OUTLET AND PROTECTED BY A 3A FUSE.

We recommend that the appliance is connected by a qualified electrician, who is a member of the N.I.C.E.I.C. and who will comply with the I.E.T. and local regulations.

The wires in the mains lead of this appliance are coloured in accordance with the following code:

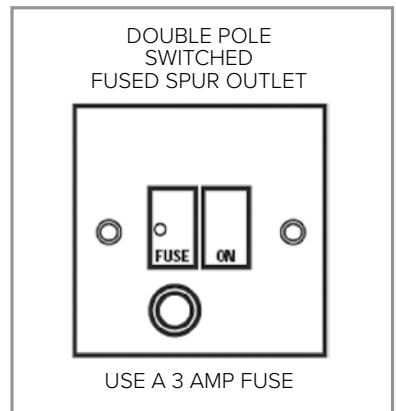
Green & Yellow = Earth

Blue = Neutral

Brown = Live

As the colours of the wires in the mains lead for the appliance may not correspond with the coloured markings identifying the terminals connecting to the fuse spur, proceed as follows:

- The wire which is coloured green and yellow must be connected to the terminal marked E (Earth) or coloured green.
- The wire which is coloured blue must be connected to the terminal marked N (Neutral) or coloured black.
- The wire which is coloured brown must be connected to the terminal marked L (Live) or coloured red.



Note: Use a 3A Fuse.

Assembly and electrical connection should be carried out by specialised personnel.

The isolation switch and fuse for this appliance should be easily accessible after installation is complete.

Electrical information

Mains electrical voltage: 230-240Vac

Total rated power consumption:

131W

NOTES:

NOTES:

E & O E. All instructions, dimensions and illustrations are provided for guidance only. CDA reserve the right to change specifications without prior notice.



For service or queries relating to your product please contact:

The Customer Care Department on **01949 862 012** or email customer.care@cda.eu

For more information please contact:

The Sales Department on **01949 862 010** or email sales@cda.eu

Customer Care Department. The CDA Group Ltd, Harby Road, Langar, Nottinghamshire, NG13 9HY
T: 01949 862 012 F: 01949 862 003 E: customer.care@cda.eu